

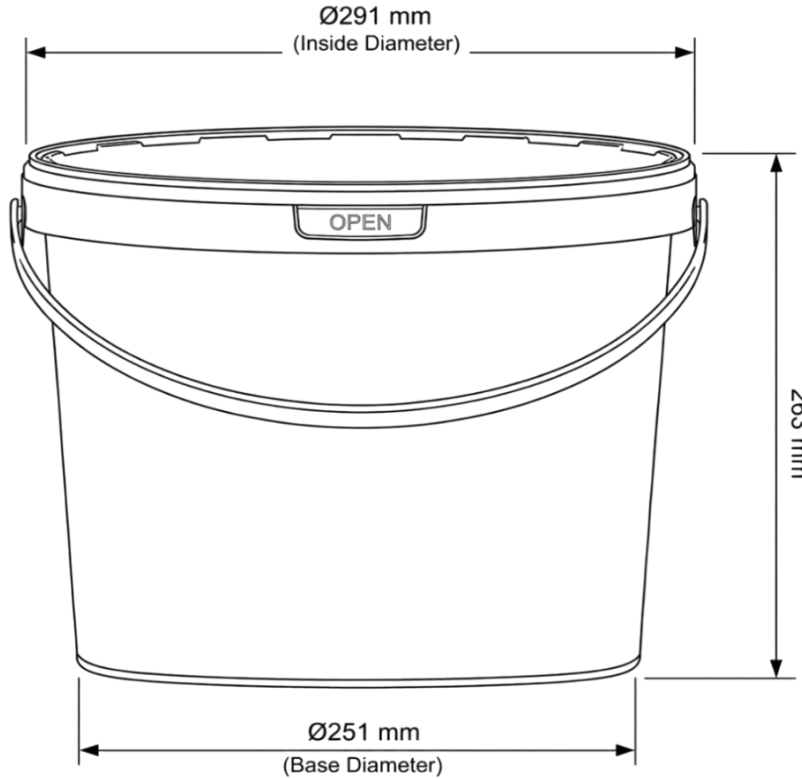
PRODUCT DATA SHEET

PRODUCT CODE: DYK12500

DESCRIPTION: PP-IML Container for Food Packaging



TECHNICAL DRAWINGS & PICTURES



MATERIAL, COLOR, QUALITY CONTROL and WEIGHT

Containers and lids are produced by polypropylene in grades approved for food packaging according to New Code for Foodstuff and beverages 1998, Chapter II, Art.26.

Both lid and the container are food grade for human consumption.

DYK12500 container and lid can be produced with all colors as per the demand of the customer.

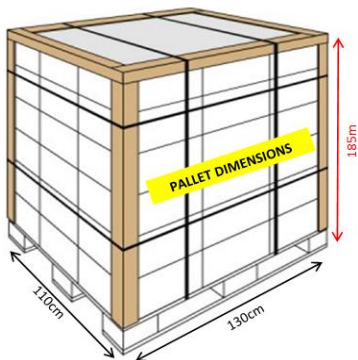
Production is certificated according to EN ISO 9001:2000.

Container: 331,1 gr (±%5) Lid: 79,5 gr (±%5) Volume: 13300 ml

100%
Recyclable
PP Material



LOGISTIC & PALLETISING



Quantity per Pallet	:	640 pieces (Set = Body + Lid)
Quantity per Truck	:	5.120 (Set = Body + Lid)
Quantity per 40'HC Container	:	11.520 sets (Set = Body + Lid)
Quantity per 20'DC Container	:	14.080 (Set = Body + Lid)

