

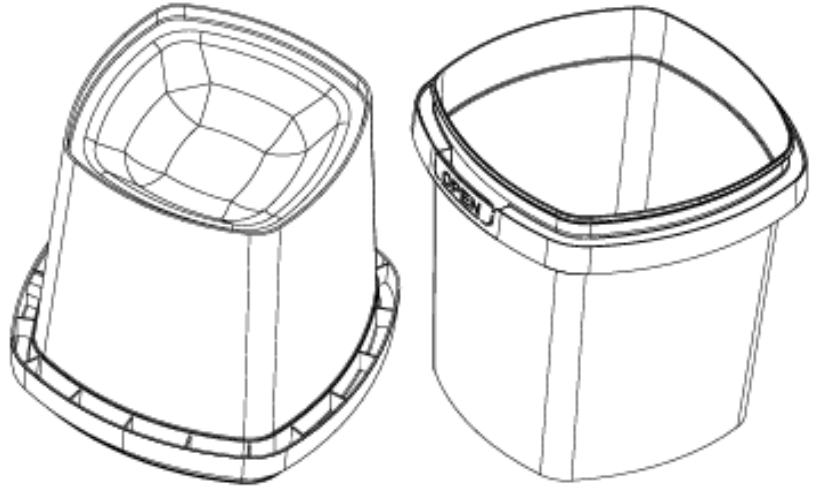
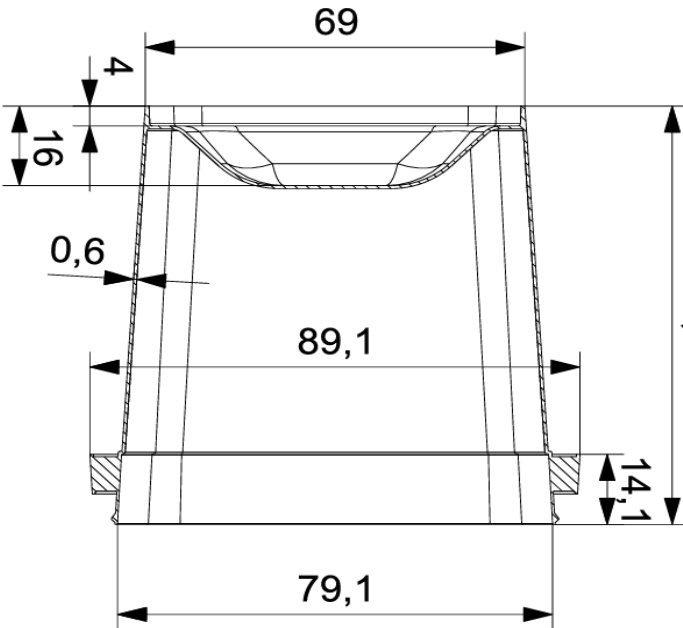
# PRODUCT DATA SHEET

PRODUCT CODE: DÖK355

DESCRIPTION: PP-IML Container for Food Packaging



## TECHNICAL DRAWINGS & PICTURES



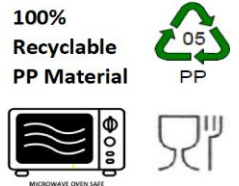
## MATERIAL, COLOR, QUALITY CONTROL and WEIGHT

Containers and lids are produced by polypropylene in grades approved for food packaging according to New Code for Foodstuff and beverages 1998, Chapter II, Art.26.

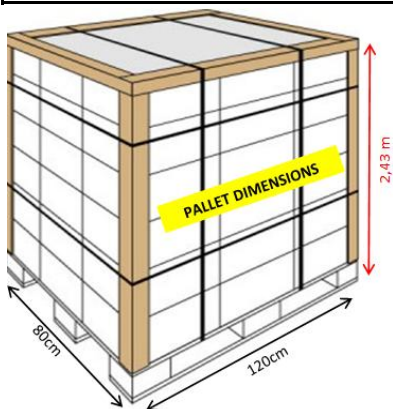
Both lid and the container are food grade for human consumption.

DÖK355 container and lid can be produced with all colors as per the demand of the customer. Production is certificated according to EN ISO 9001:2000.

Container: 17,4 gr (±%5)      Lid: 4 gr (±%5)      Volume: 350 ml



## LOGISTIC & PALLETISING



Quantity per Pallet	:	16.128 pieces	(Tub)
Quantity per Pallet	:	53.760 pieces	(Lid)
Quantity per Truck	:	409.400 sets	(Set = Body + Lid)
Quantity per 40'HC Container	:	297.750 sets	(Set = Body + Lid)
Quantity per 20'DC Container	:	108.600 sets	(Set = Body + Lid)

