

PRODUCT DATA SHEET

PRODUCT CODE: DYK851

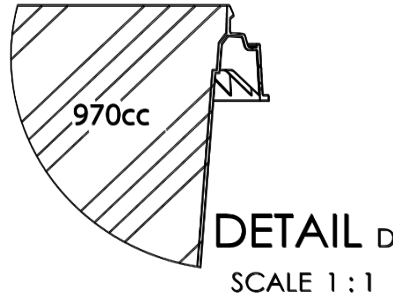
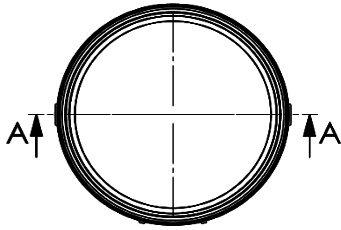
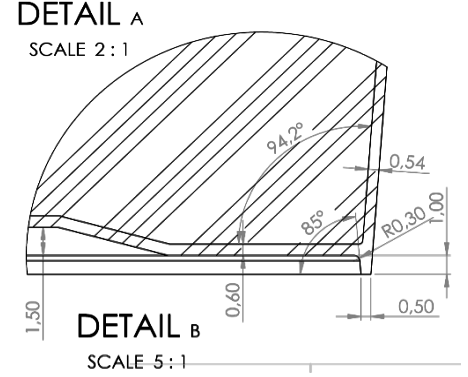
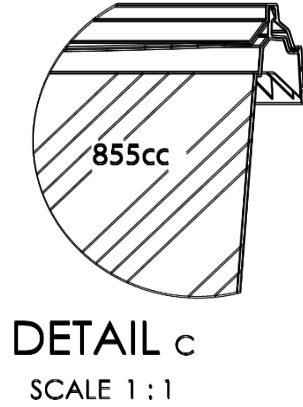
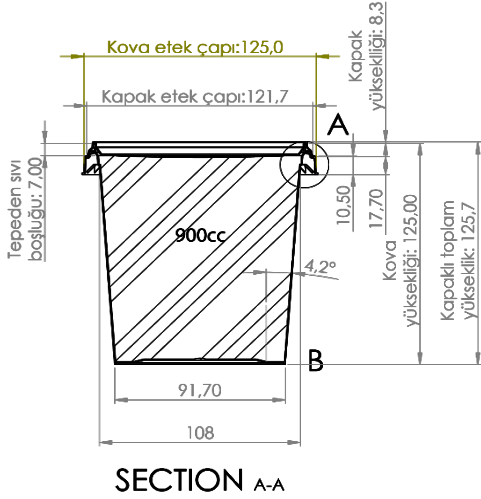
DESCRIPTION: PP-IML Bucket for Food Packaging

$$\sum_{i=1}^{\infty} P_i$$

DivanPackaging

www.divanpackaging.com

TECHNICAL DRAWINGS & PICTURES



MATERIAL, COLOR, QUALITY CONTROL and WEIGHT

Buckets and lids are produced by polypropylene in grades approved for food packaging according to New Code for Foodstuff and beverages 1998, Chapter II, Art.26.

Both lid and the bucket are food grade for human consumption.

100%
Recyclable
PP Material



DYK851 container and lid can be produced with all colors as per the demand of the customer.

Production is certificated according to EN ISO 9001:2000.

Brimful Volume: 950 ml

Bucket: 29 gr (±%5)

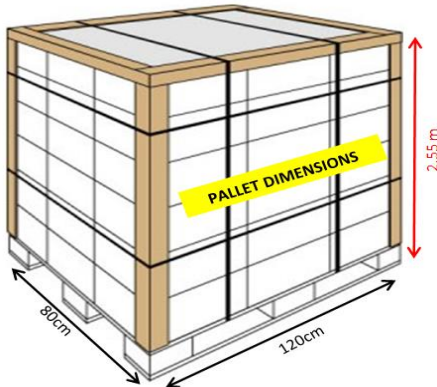
Lid: 8 gr (±%5)

Handle: 1,5 gr (±%5)

Filling Volume: 850 ml



LOGISTIC & PALLETISING



Box Dimensions	:	40*60*48 cm	(w * l * h)
Boxes per Pallet	:	20	
Quantity per Pallet	:	6300 pieces	(Tub)
Quantity per Pallet	:	32.500 pieces	(Lid)
Quantity per Truck	:	174.141 sets	(Set = Body + Lid)
Quantity per 40'HC Container	:	131.925 sets	(Set = Body + Lid)
Quantity per 20'DC Container	:	58.047 sets	(Set = Body + Lid)

