

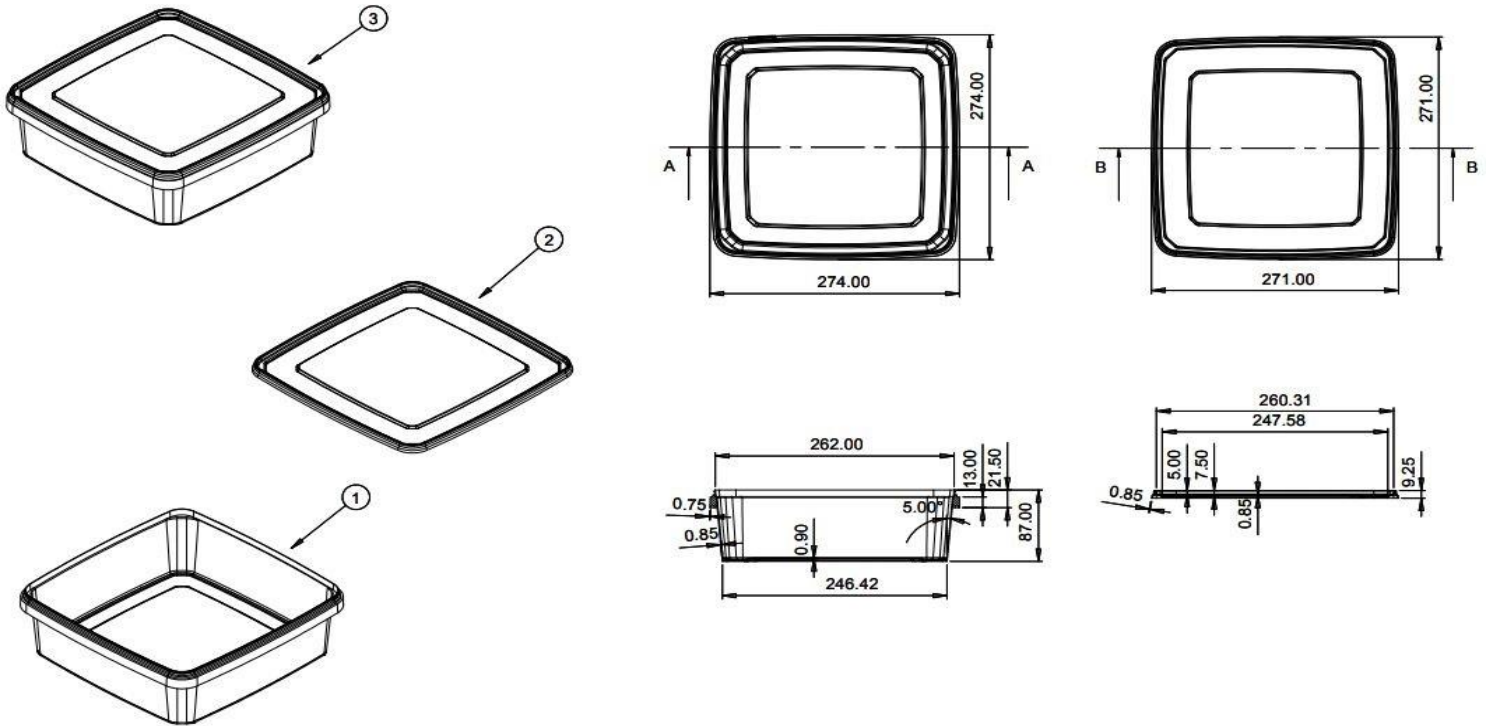
# PRODUCT DATA SHEET

PRODUCT CODE: DKK5000

DESCRIPTION: PP-IML Container for Food Packaging



## TECHNICAL DRAWINGS & PICTURES



## MATERIAL, COLOR, QUALITY CONTROL and WEIGHT

Containers and lids are produced by polypropylene in grades approved for food packaging according to New Code for Foodstuff and beverages 1998, Chapter II, Art.26. Both lid and the container are food grade for human consumption.

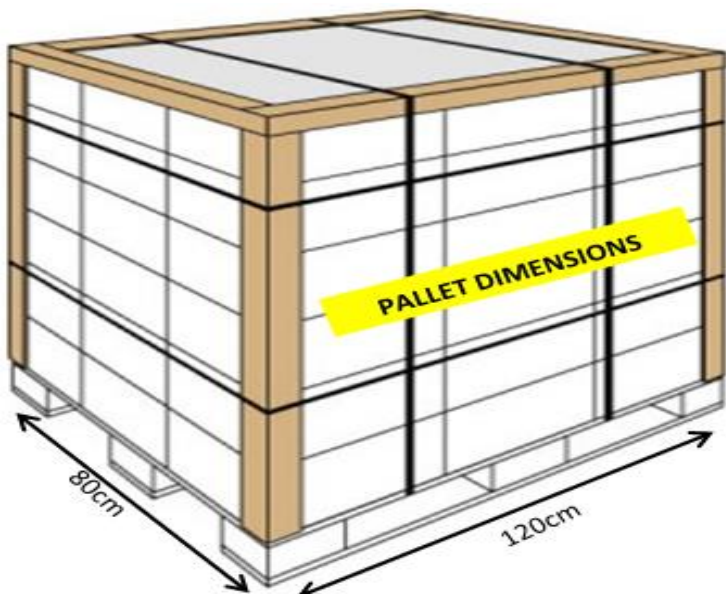


DKK5500 container and lid can be produced with all colors as per the demand of the customer. Production is certificated according to EN ISO 9001:2000.

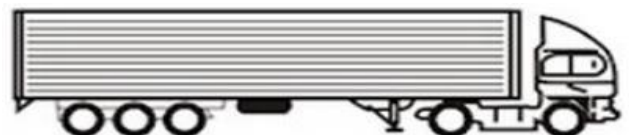
Container: 132 gr (±5%)      Lid: 65 gr (±5%)      Volume: 5.000 ml



## LOGISTIC & PALLETISING



- Carton Box Dimensions** : 80\*120\*110 cm (w\*I\*h)
- Quantity / Carton Box** : 360 pcs
- container and the lid are packed in the same carton box*
- 1 box includes 360pcs of container & 360 pcs of lids*
- Carton Boxes / Pallet** : 2 pcs
- Quantity / Pallet** : 720 pcs
- Pallets / Standart Truck** : 33 pcs



**Quantity / Standart Truck** : 23.760 pcs